

645-DRM Board Installation QRS

INSTALL REQUIREMENTS

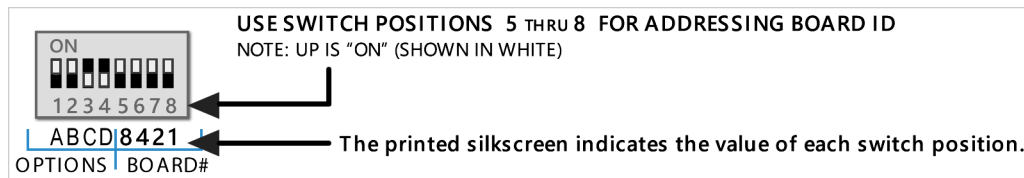
- To install a 645-DRM board, the Controller CPU board must be running a minimum Flash v10.5.6 (or higher).
- The 645-DRM is currently shipped with Flash v11.0.5. You do not need to update this flash if the controller is running v10.5.6 (or higher).
- 645-DRM can be installed along with 635-series daughter boards.
- 645-DRM cannot be installed as a Remote Door Module using RS-485.
- 645-DRM does **not** support the traditional method of flashing through the I2C Data Bus (J13).
- IMPORTANT: Future enhancements of the 645-DRM will require the DRM flash to be upgraded. When future flash updates are required, you must use the Factory Test Station on a 635-CPU running v11.0.5 or higher and connected at J2). See [635-FTS Daughter Board Flash Procedure QRS](#) for more information.
- LOCK SURGE SUPPRESSION: You must install surge-suppression at the Lock. The Lock must have a separate power supply. See Figure 3 and Figure 4 on page 2.

INSTALL STEPS

1. Set DIPSWITCH (SW2) to a unique/unused Board-ID Address (1-15 is valid; Factory Default is 15).

NOTE: The Value of each *dipswitch position* is marked on the board silkscreen.

FIGURE 1 : 645-DRM DIPSWITCH



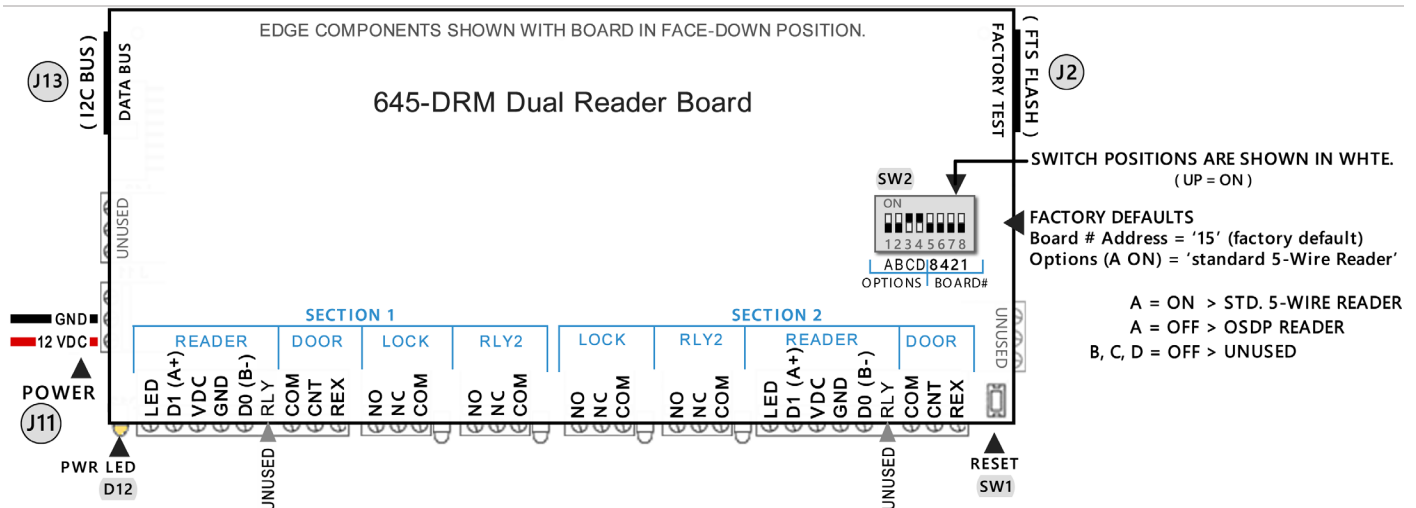
2. Set DIPSWITCH (SW2) for the Reader Type ...

A) For a Standard 5-wire Reader Type: Option A = ON / UP (B, C, D = OFF; factory default)

B) For an OSDP Reader Type: Option A = OFF / DOWN (B, C, D = OFF)

- OSDP Reader must be configured for *9600 Baud, Reader Number 0 (zero), and non-secure channel*. Use the method provided by the reader manufacturer to configure reader settings.
- In the System Galaxy software, the OSDP Reader port must be set to use "Wiegand Standard".

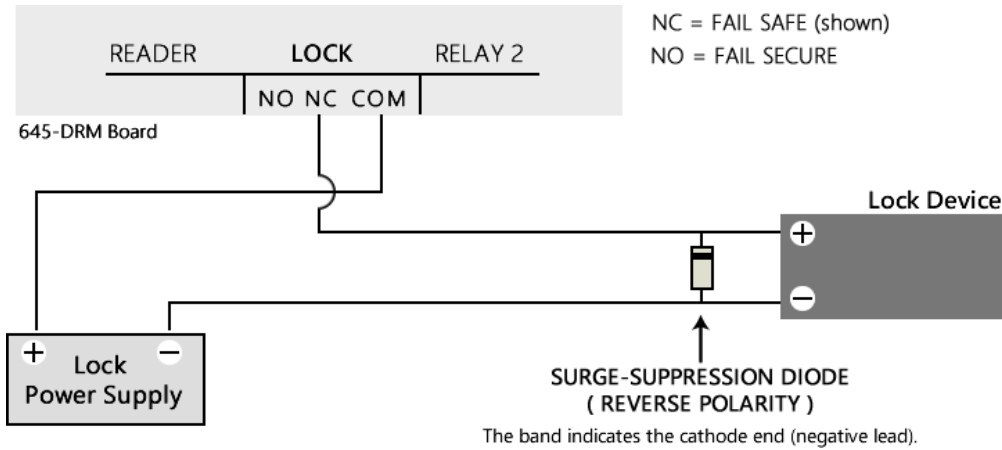
FIGURE 2 : 645-DRM EDGE COMPONENTS



INSTALLING SURGE-SUPPRESSION DIODE (mandatory)

- Land Lock wires as needed NC = FAIL SAFE & NO = FAIL SECURE
- The Lock device must use a separate power supply.
- You must install the surge-suppression diode in reverse-polarity at the Lock – shown in Fig. 3 below.

FIGURE 3 : SURGE-SUPPRESSION DIODE – SHOWN INSTALLED IN REVERSE POLARITY



INSTALLING SURGE-PROTECTOR CAPACITOR (conditionally mandatory)

- IF you are installing a switch (switch/relay/component) that breaks or closes circuit to the lock device, you must install the provided surge-protector capacitor (PN: T322B105K035AT7200).
- Observe polarity when installing the capacitor – shown in Fig. 4 below

FIGURE 4 : SURGE-SUPPRESSION CAPACITOR – SHOWN INSTALLED IN NORMAL POLARITY

